

HD 1080p Direct-connect monitor



HD 1080p Camera

VP-HD203HDMI

The VP-HD203HDMI series features HD 1080p resolution and direct-connect to monitor capabilities. Due to its ability to connect directly to a monitor, the series can be integrated inexpensively to a system. The VP-HD203HDMI Series has an optional remote control, which allows the user to create shadow mask and line markers directly on the screen. The series is available in both DVI and SDI connections, allowing high customizability.



Features

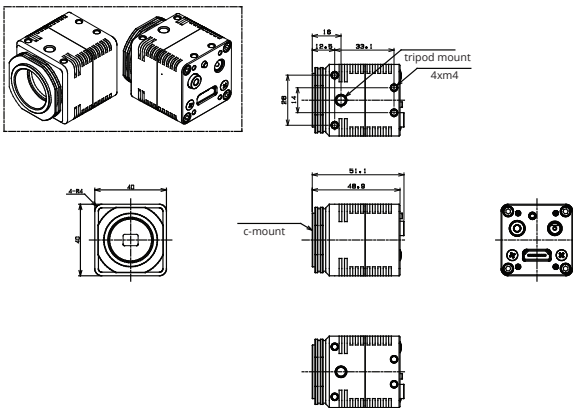
- 1920(H) x 1080(V)
- 2.8 μm x 2.8 μm
- 60 FPS
- 1/2.8" Sensor
- C Mount
- 1080p
- HDMI(DVI) / BNC(SDI) Connector
- High Sensitivity • High Quality

Specifications

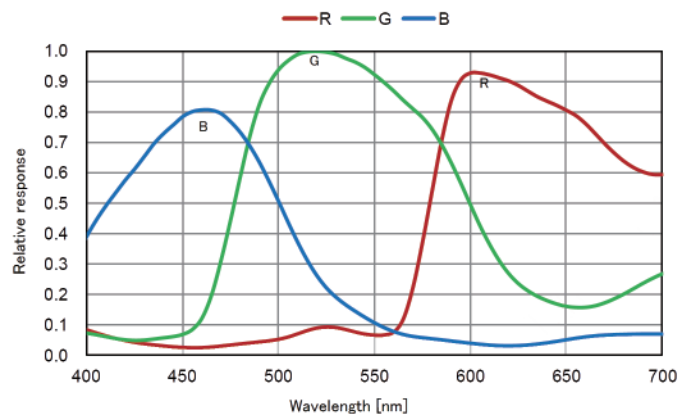
Model Numbers	VP-HD203HDMI	Line Marker	: Horizontal / Vertical Line Marker
Effective Pixels	: 1920(H) x 1080(V)	Shadow Mask	: Horizontal / Vertical Shadow Mask
Chip Size	: 8.5(H) x 7.3(V) mm	OSD	: OSD can be displayed through serial communication port
Pixel Cell Size	: 2.8(H) x 2.8 (V) μ m	Pixel Defect	: Max. 1024 Pixels
Scanning Method	: Progressive	Correction	
Min. Scene	: TBD Lux	Video Output	: HDMI Connector(DVI) BNC Connector(SDI)
Illumination		Power Input	: 12V Power Jack
Frame Rate	: • DVI 1080P60 / 59.94 / 50 / 30 / 29.97 / 25 720P60 / 59.94 / 50 • SDI 3G-SDI : 1080P60 / 59.94 / 50 HD-SDI : 1080P30 / 29.97 / 25 720P60 / 59.94 / 50	Consumption	: TBD
ALC	: Electronic Shutter / AGC Linked	External Control	: 3.5 Φ stereo jack with SW board
Electronic Shutter	: \sim 1/10,000 s	Input Voltage	: +9 ~ +15Vdc (Typical : +12Vdc)
Gain	: TBD	Dimensions	: 40(W) x 40(H) x 48.9(D) mm (excluding connector)
Gamma	: 1.0 / 0.45 / Manual	Optical Filter	: IR cut filter, with Optical low pass filter
White Balance	: Auto / Manual / Push to Set	Lens Mount	: C Mount
Mirror Image	: Normal / Horizontal Flip / Vertical Flip Vertical & Horizontal Flip	Compliance	: RoHS Compliant
Freeze Image	: Live Video / Image Freeze		


Dimensions

VP-HD203HDMI



Spectral Sensitivity



Vision Partners is onderdeel van de  **SENSORGROEP**

VISION PARTNERS

James Wattlaan 15, 5151 DP Drunen

+31 (0) 416 - 36 94 72

info@visionpartners.nl