

Intelligent Cameras

pictor® T

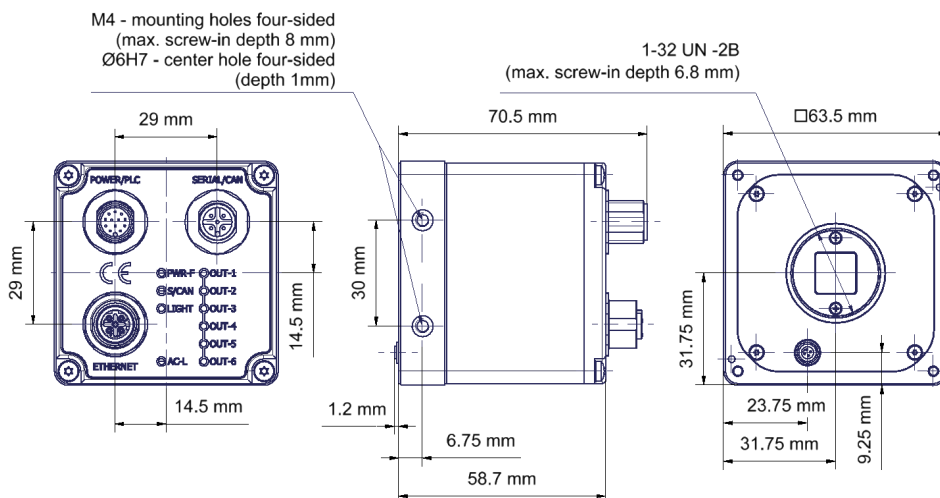
pictor® T3xxx-ECAN series

Product features

- Stand-alone solution for industrial machine vision tasks
- Extensive connectivity through standard interfaces such as Ethernet, RS232 and digital I/Os.
- Integrated fieldbus technology: CAN 2.0 with CANopen protocol
- Robust M12 plug-type connectors for reliable contact
- Flexible drag chain suited cables
- Extensive optics and lighting accessories
- Powerful image-processing software package included
- Graphic programming under Windows based on dialogues



Engineering drawing



Important advice

Please read the manual "pictor® C300/T300" thoroughly before you start operating the device!

Intelligent Cameras

pictor® T

pictor® T3xxx-ECAN series

General technical data

	Attribute	Description
Processor	Processor	TI Sitara AM3517 600Mhz
	RAM	256MB DDR2
Interfaces	ROM	512MB (thereof 200 MB free for testing programs and images)
	Communication	1 x CAN / RS232, 1 x Ethernet
	Digital I/Os	4 x Digital In, 6 x Digital Out
General	Connection lighting	M5 connector, 4-pin, max. 10 W
	Operating voltage	18 V bis 30 V DC
	LED indicator	Status and Power LEDs on the rear of the housing
	Housing	Aluminium alloy
	Mounting	2 x M4 (10 mm depth) on each side with 6H7 centre hole
	Dimensions / Weight	63,5 mm x 63,5 mm x 71,7 mm / 350 g
Environment	Operating temperature	0°C to 55°C
	Degree of protection	IP60
	Temperature (operation)	0°C to +55°C
	Temperature (storage and transport)	-25°C to +60°C
	Humidity (operation)	20% to 80%
	Humidity (storage and transport)	20% to 95%

Technical data

Name	pictor T303M-ECAN	pictor T303C-ECAN
Order Number	3-12-323	3-12-324
Sensor	Aptina MT9V034	Aptina MT9V034
Sensor type	Monochrome	Color RGB Bayer pattern
Sensor technologie	Progressive Scan CMOS	Progressive Scan CMOS
Shutter type	Global Shutter TrueSNAP™	Global Shutter TrueSNAP™
Sensor size	1/3" WideVGA 4.51 mm x 2.88 mm	1/3" WideVGA 4.51 mm x 2.88 mm
Resolution	720 x 480	720 x 480
Pixel size	6 µm x 6 µm	6 µm x 6 µm
Frame rate	60 fps	60 fps
Shutter (exposure time)	56 .. 82920 µs, Auto Shutter	56 .. 82920 µs, Auto Shutter

For information, please refer to the hardware manual pictor C300/T300.

Operating Software

The devices are configured via ethernet interface or RS232 interface with the vcwin® pro software. The software is included in the scope of delivery. You can also download the latest version from our website.

Intelligent Cameras

pictor® T

pictor® T3xxx-ECAN series

Accessories

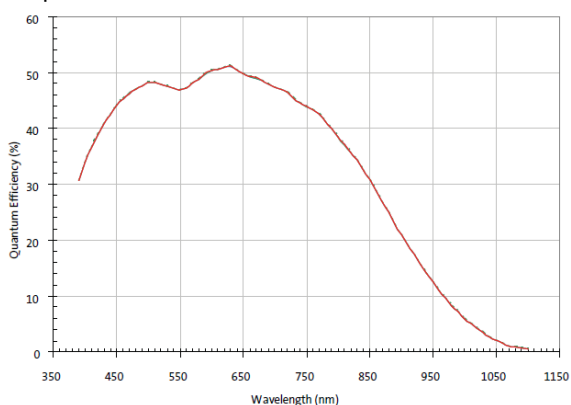
Order no.	Name	Description
4-40-219	Power supply 24V/40W/1,7A	for pictor

Scope of delivery

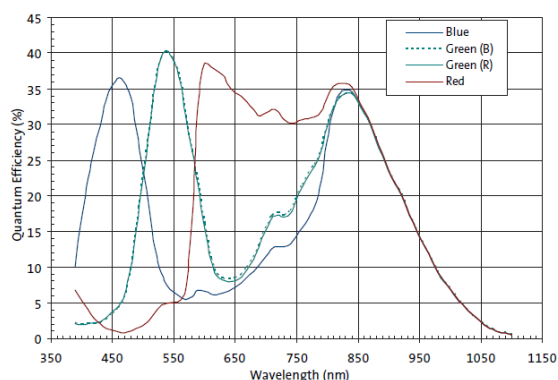
- Device pictor C/T3xxx
- Product DVD with:
 - Software vcwin® smart and vcwin® pro
 - Manual pictor® C300/T300 (PDF format)
 - Programmers manual vcwin® smart und vcwin® pro
- Adhesive label with serial number
- 6h7 centre sleeve (2 x)
- CS/C mount adapter
- Manual pictor® C300/T300

Spectral sensitivity

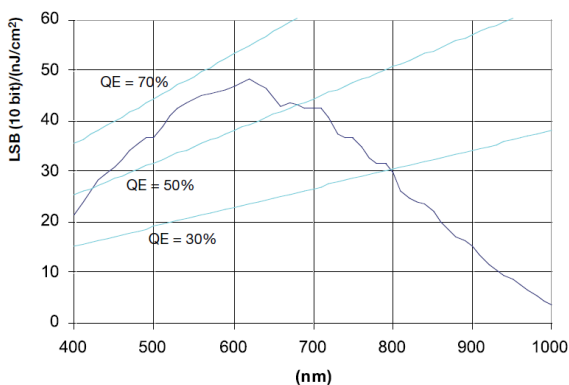
Aptina MT9V034 monochrome



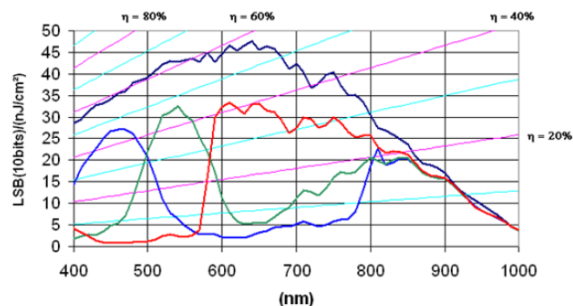
Aptina MT9V034 colour



e2V EV76C560 monochrome



e2V EV76C560 colour

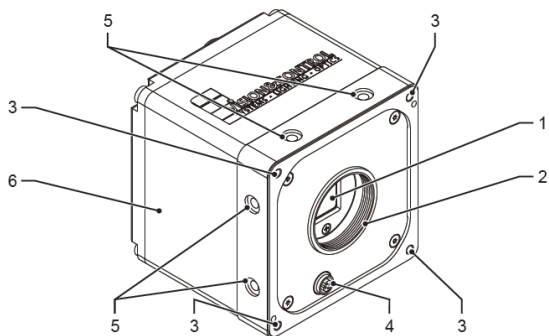


Intelligent Cameras

pictor® T

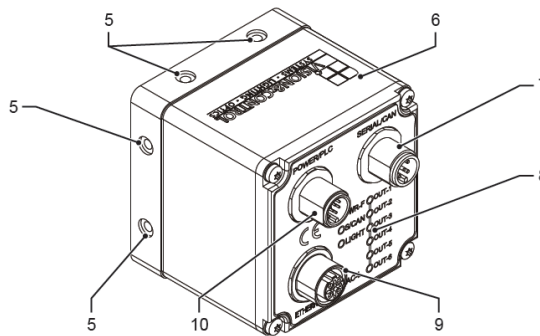
pictor® T3xxx-ECAN series

Details



Front view

- | | |
|-----------------------------|----------------------------------|
| 1 Image recorder window | 4 Lighting interface |
| 2 CS lens mount | 5 M4 thread with center hole 6H7 |
| 3 M3 thread for accessories | 6 Device housing |



Rear view of ECAN model

- | | |
|----------------------------------|-------------------------|
| 5 M4 thread with center hole 6H7 | 8 LED indicators |
| 6 Device housing | 9 Ethernet interface ** |
| 7 CAN- / RS232 interface * | 10 Power/PLC connection |